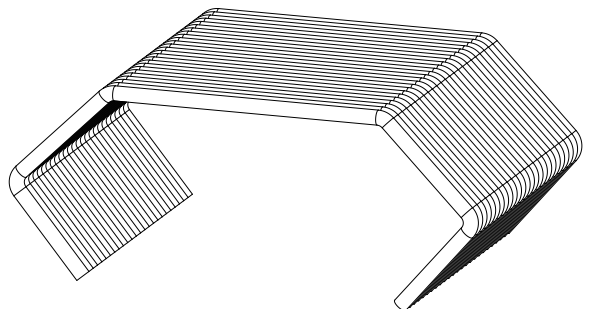
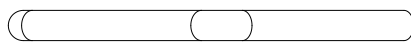
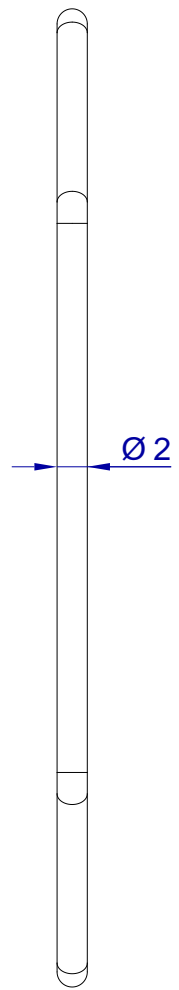
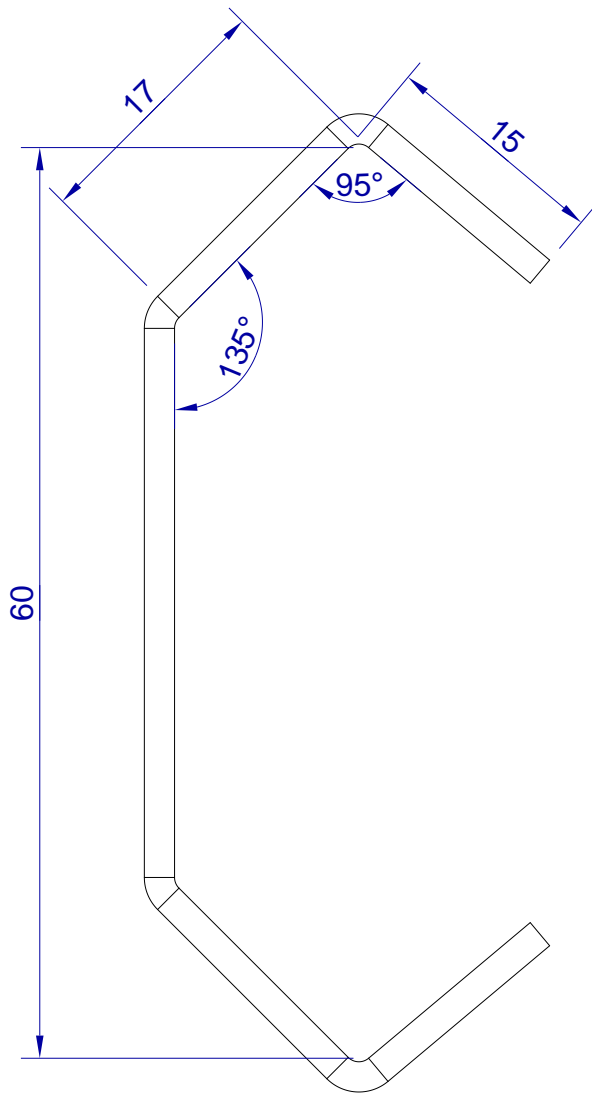


This drawing is HangOn AB property. It can't be reproduced or communicated without our written agreement



hang[®]
On

Product no.

F060X2,0 PDVX2

Description

Fixed hooks, stock item

2026-04-09 10:29