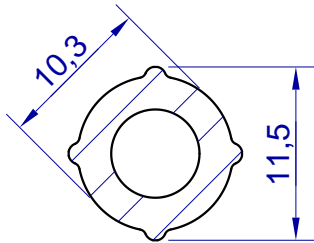
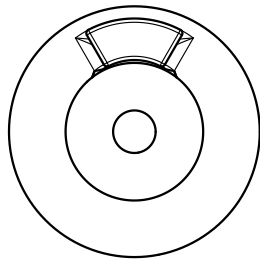
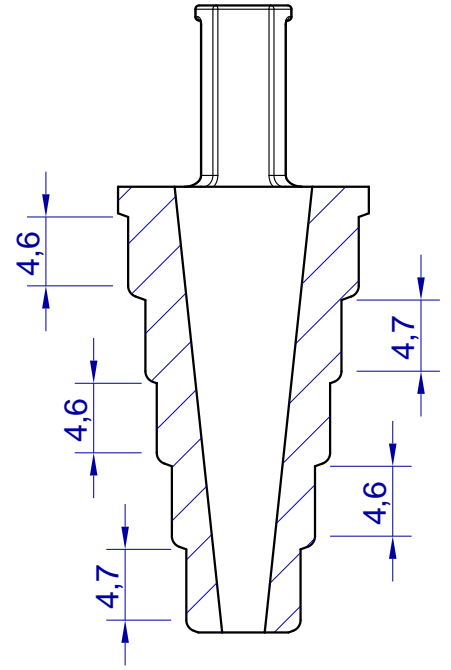
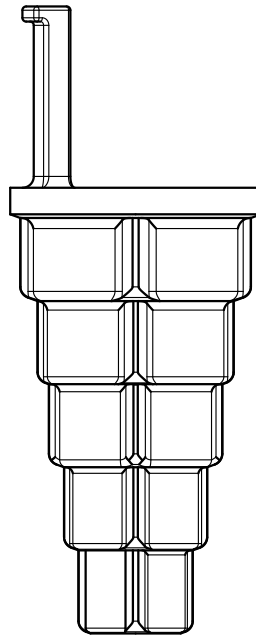
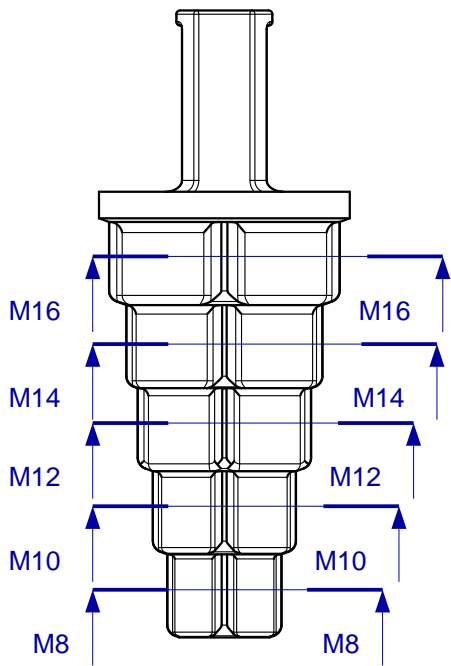
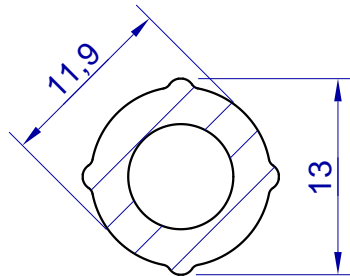


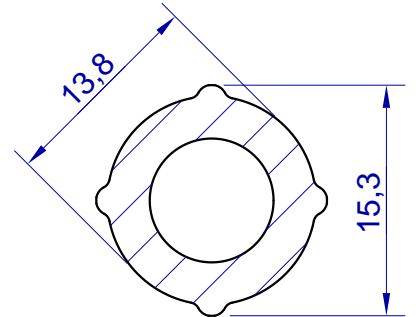
This drawing is HangOn AB property. It can't be reproduced or communicated without our written agreement



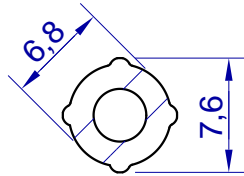
Snitt M12-M12



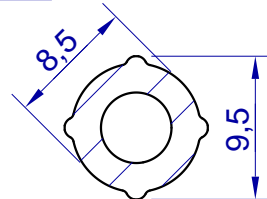
Snitt M14-M14



Snitt M16-M16



Snitt M8-M8



Snitt M10-M10



Product no.

GSPE 810121416

Description

Step plug M8-M16 EPDM