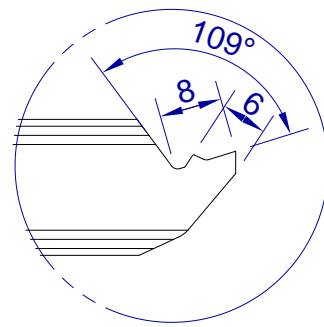
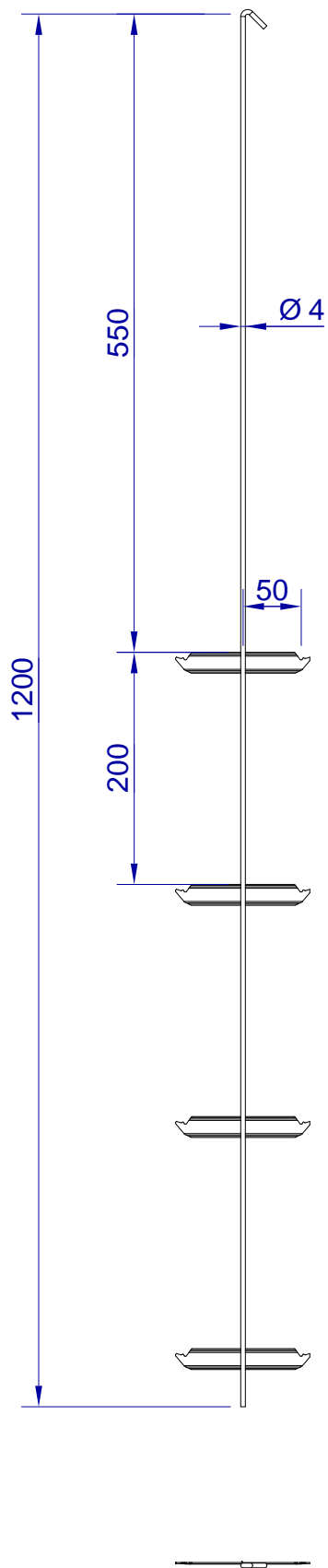


This drawing is HangOn AB property. It can't be reproduced or communicated without our written agreement



hang[®]
On

Product no.

HQS 1200X200X4 PJ

Description

HQS-shaft L=1200 $\text{Ø}4,0$ c/c=200 plane form J