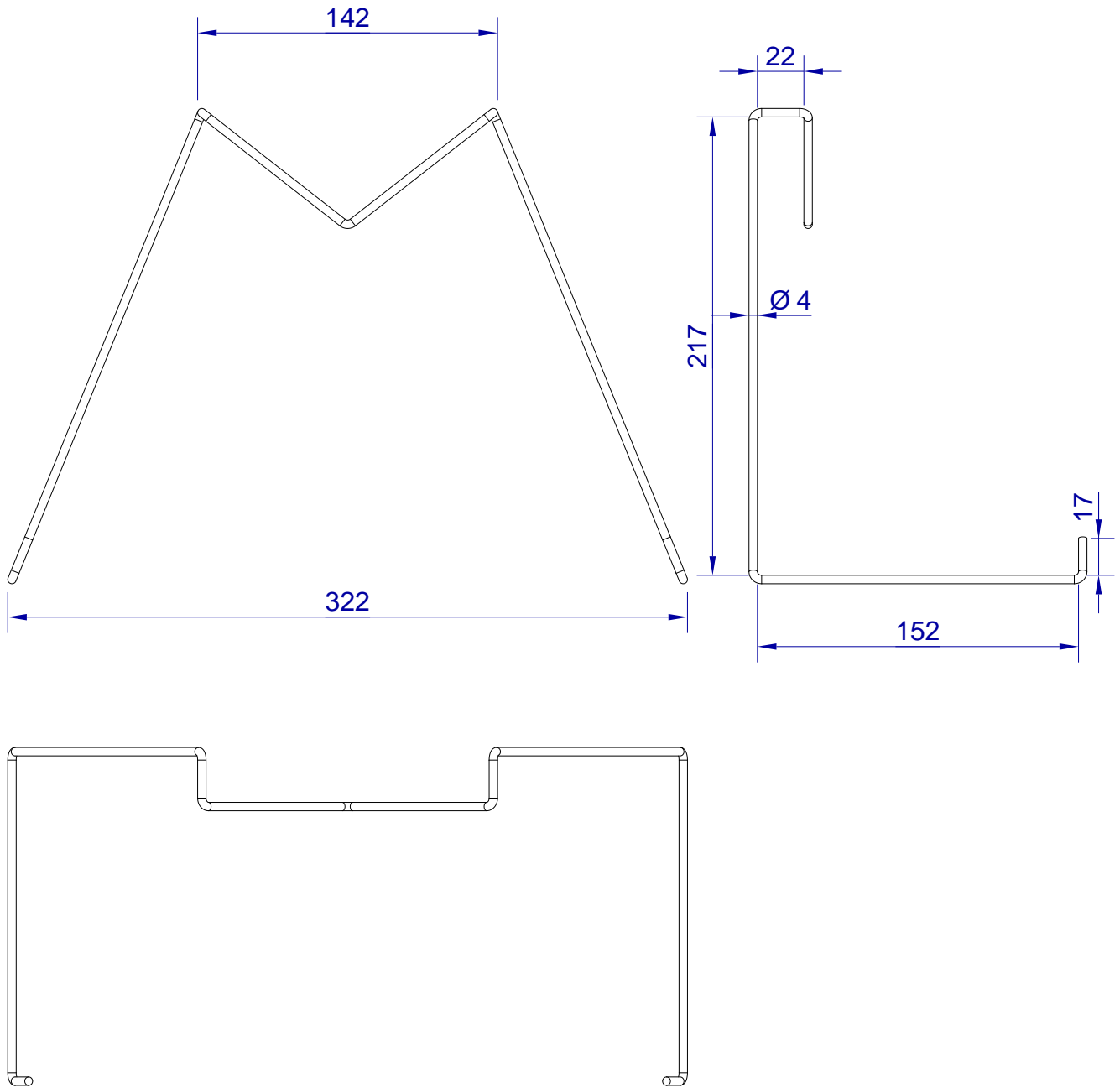


This drawing is HangOn AB property. It can't be reproduced or communicated without our written agreement



hang[®]
On

Product no.

PAL 02-01

Description

Pallet collar holder