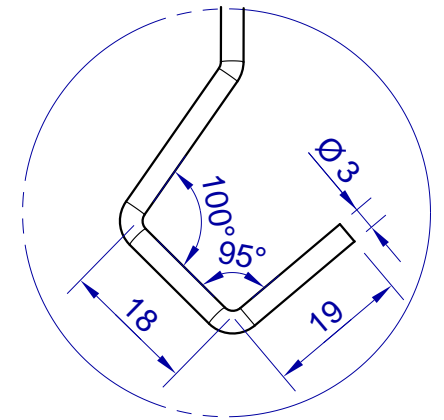
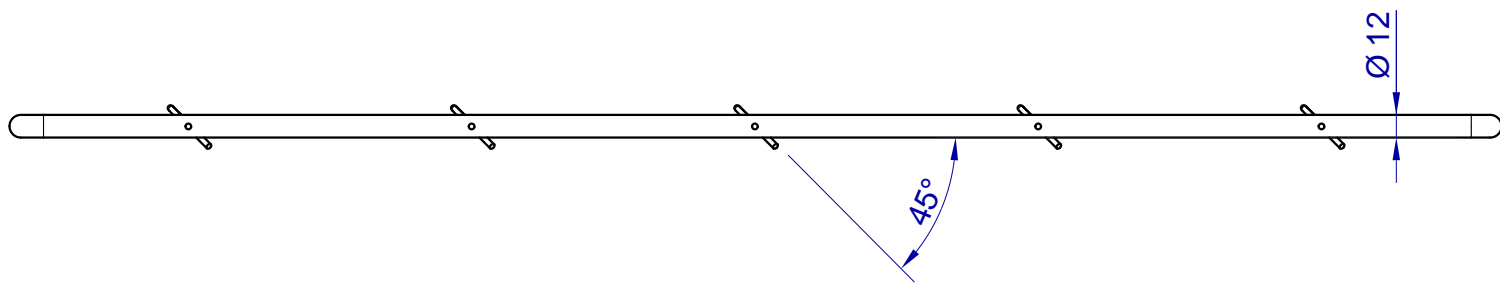
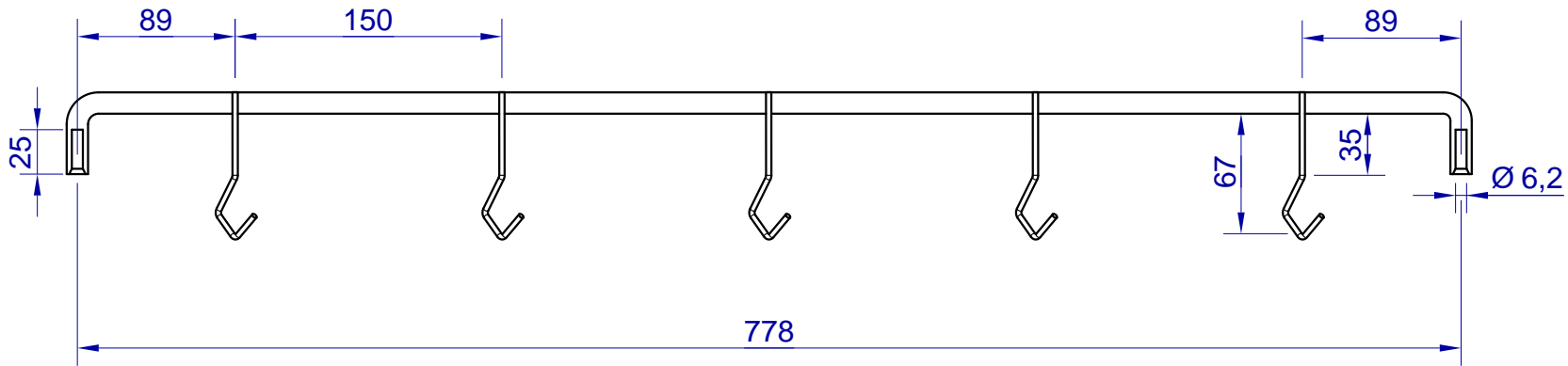



This drawing is HangOn AB property. It can't be reproduced or communicated without our written agreement



|   |             |                                       |         |
|---|-------------|---------------------------------------|---------|
|  | Product no. | HCL FS CDV 29110                      | Weight. |
|   | Description | Fixed spring wire levels, centered DV | 0,77 Kg |