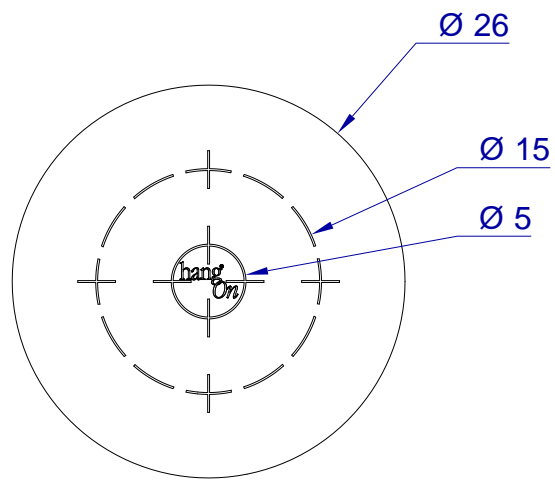


This drawing is HangOn AB property. It can't be reproduced or communicated without our written agreement



Product no.  
ERX 026

Description  
Disc with target rings and slit back