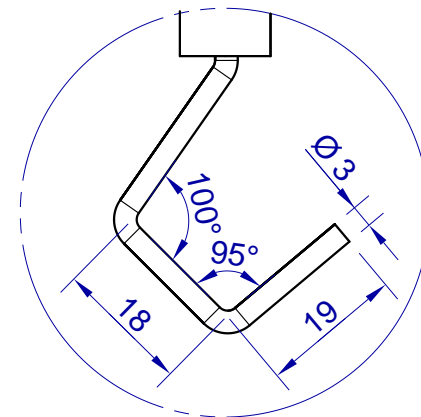
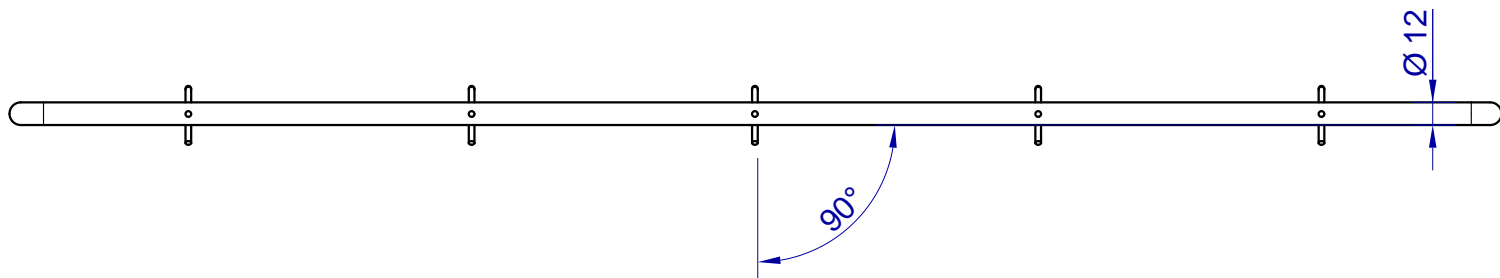
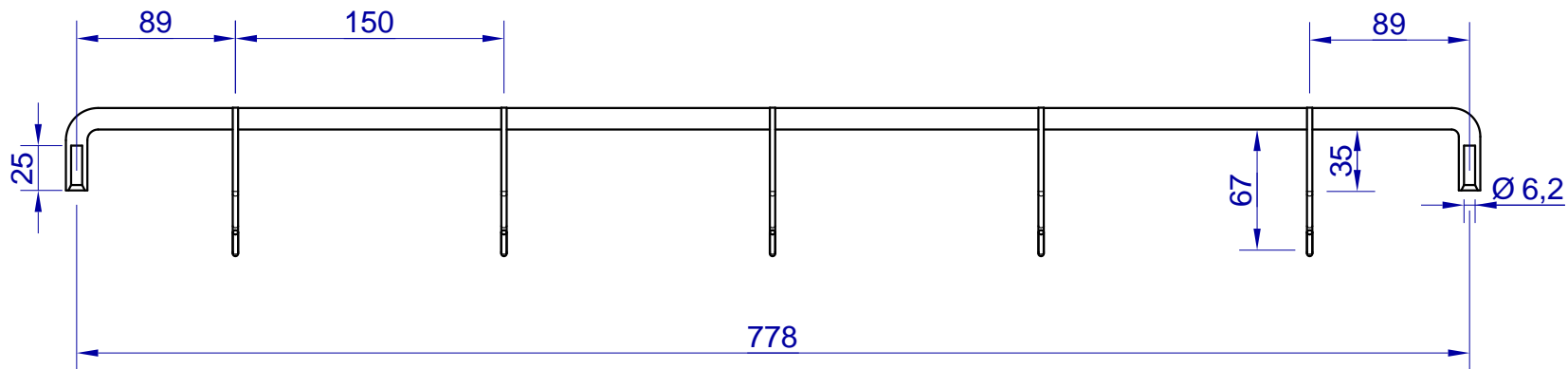


This drawing is HangOn AB property. It can't be reproduced or communicated without our written agreement



hang<sup>®</sup>  
On

Product no.  
HCL FS CDV 29902

Weight.  
0,77 Kg

Description  
Fixed spring wire levels, centered DV