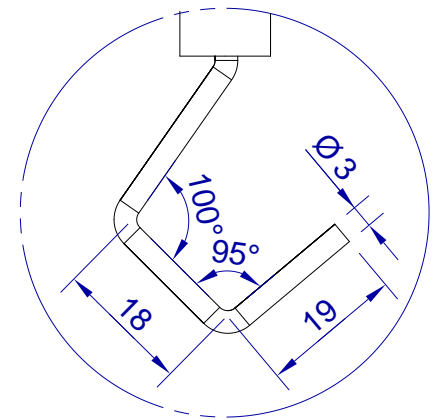
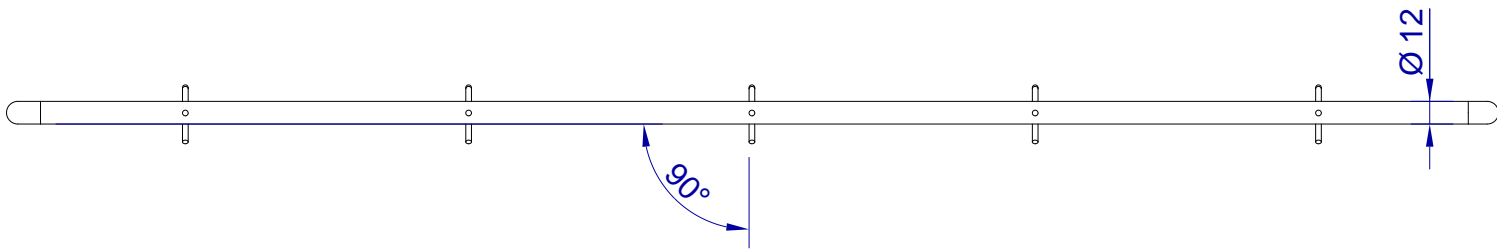
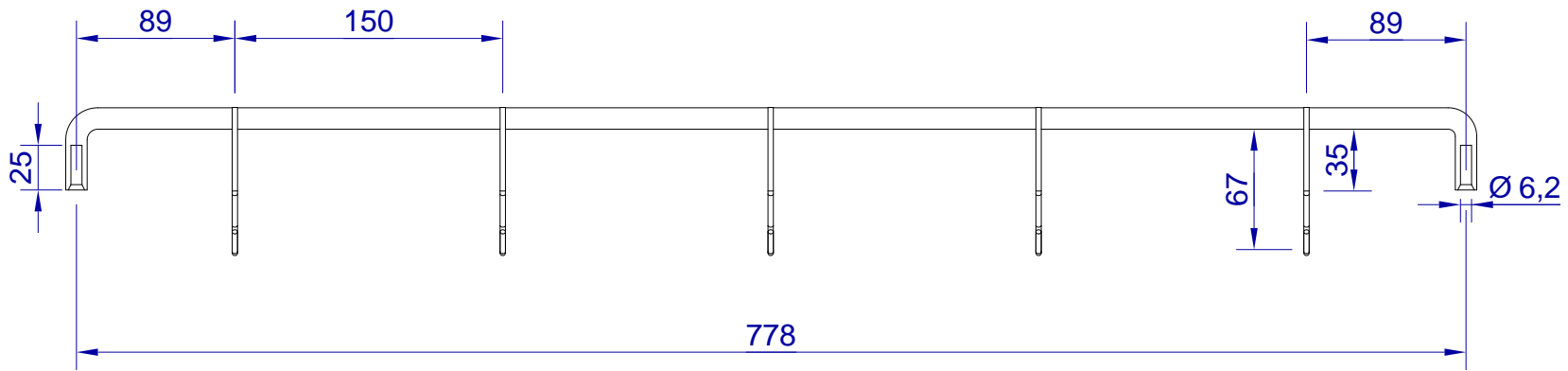


This drawing is HangOn AB property. It can't be reproduced or communicated without our written agreement



hang[®]
On

Product no.
HCL FS CDV 29902

Weight.
0,77 Kg

Description
Fixed spring wire levels, centered DV